
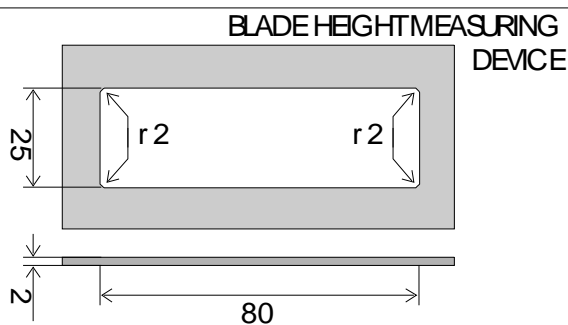
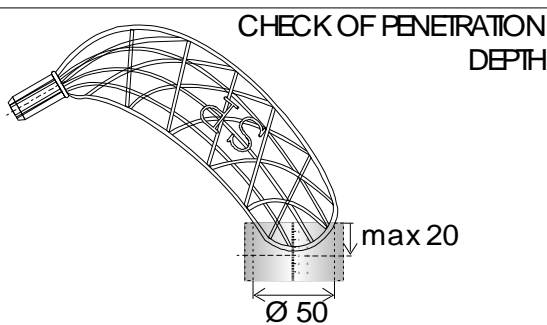
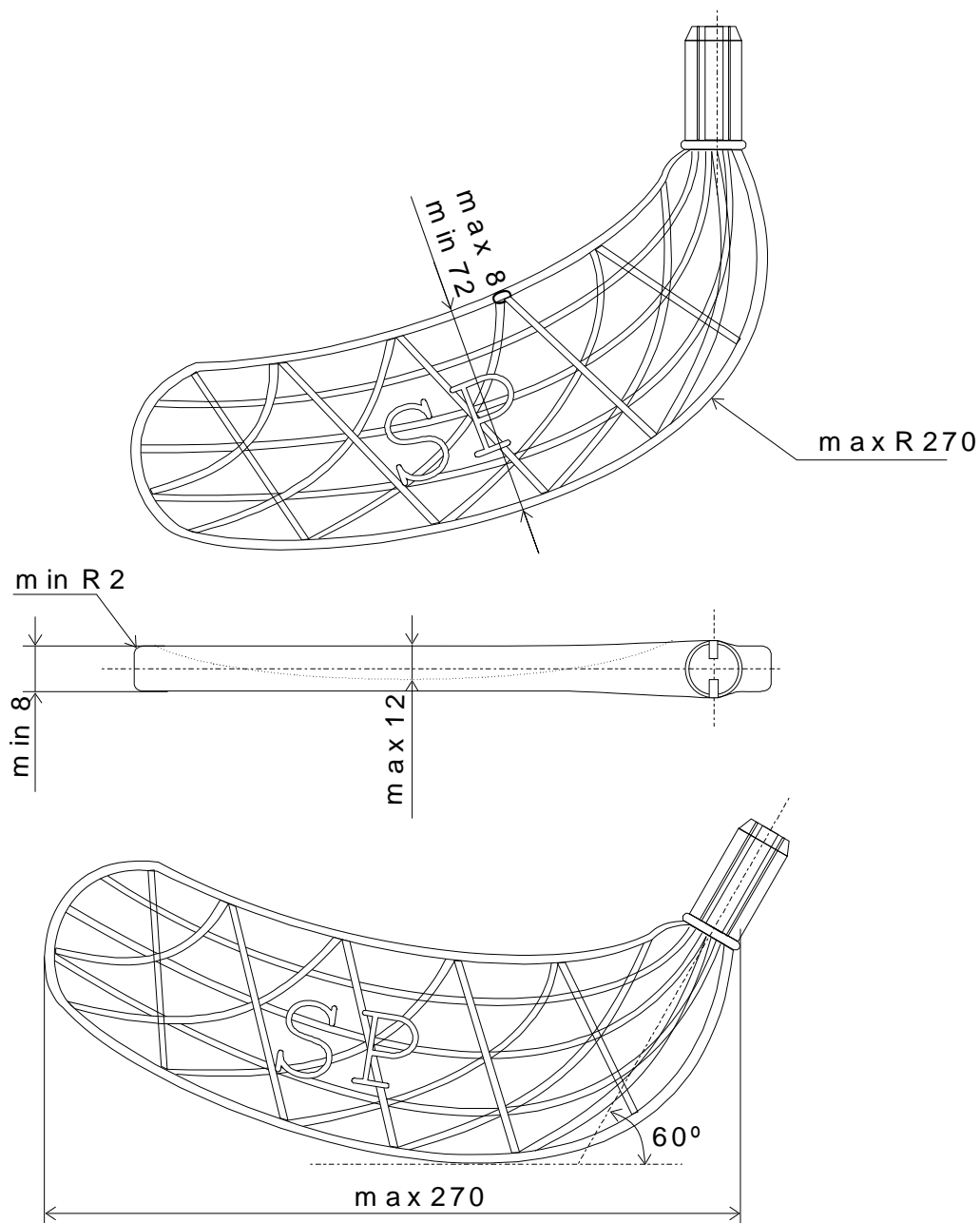



Drawn by <b>L-Å H</b>	Inspected by	Approved by	Remarks	Replaces 090702, ver 7	Version <b>8</b>
 <b>SP Technical Research Institute of Sweden</b> Chemistry and Materials Technology Section for Polymer Technology Box 857 501 15 BORÅS, Sweden	Title <b>Floorball stick</b>			Drawn <b>110919</b>	Drawing no. <b>SPCR 011-09e</b>



Drawn by <b>L-Å H</b>	Inspected by	Approved by	Remarks	Replaces 050103, ver 5	Version <b>6</b>
--------------------------	--------------	-------------	---------	---------------------------	---------------------

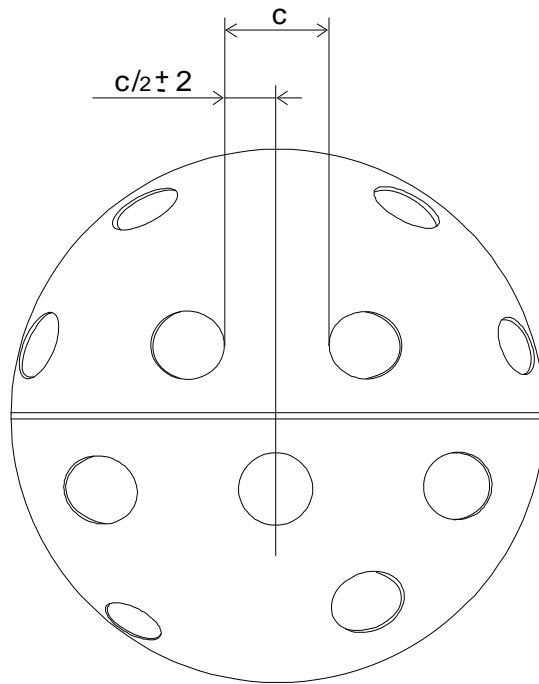
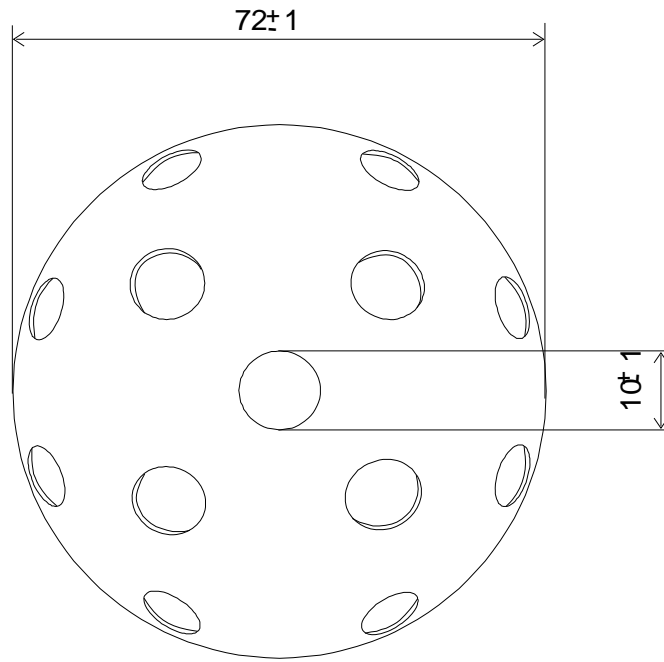


**SP Technical Research Institute of Sweden**  
 Chemistry and Materials Technology  
 Section for Polymer Technology  
 Box 857  
 501 15 BORÅS, Sweden

Title  
**Stick blade**

Drawn  
**090903**

Drawing no.  
**SPCR 011-10e**



Drawn by <b>L-Å H</b>	Inspected by	Approved by	Remarks	Replaces 930924, ver 2	Version <b>3</b>
--------------------------	--------------	-------------	---------	---------------------------	---------------------

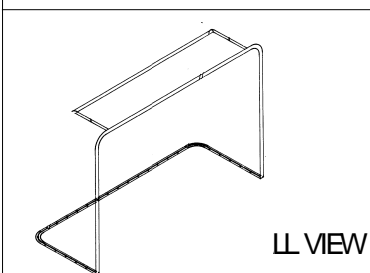
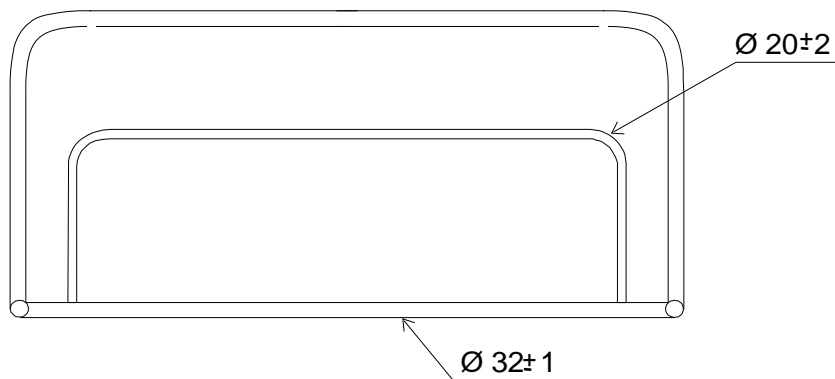
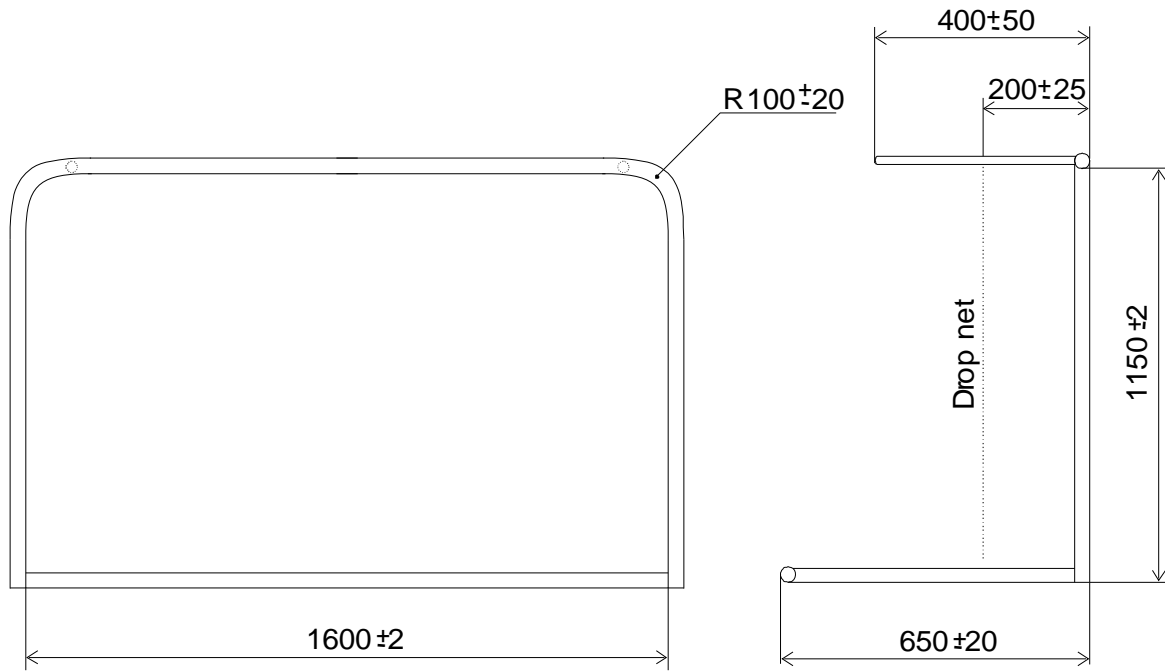


**SP Technical Research Institute of Sweden**  
 Chemistry and Materials Technology  
 Section for Polymer Technology  
 Box 857  
 501 15 BORÅS, Sweden

Title  
**Floorball ball**


Drawn  
**951115**

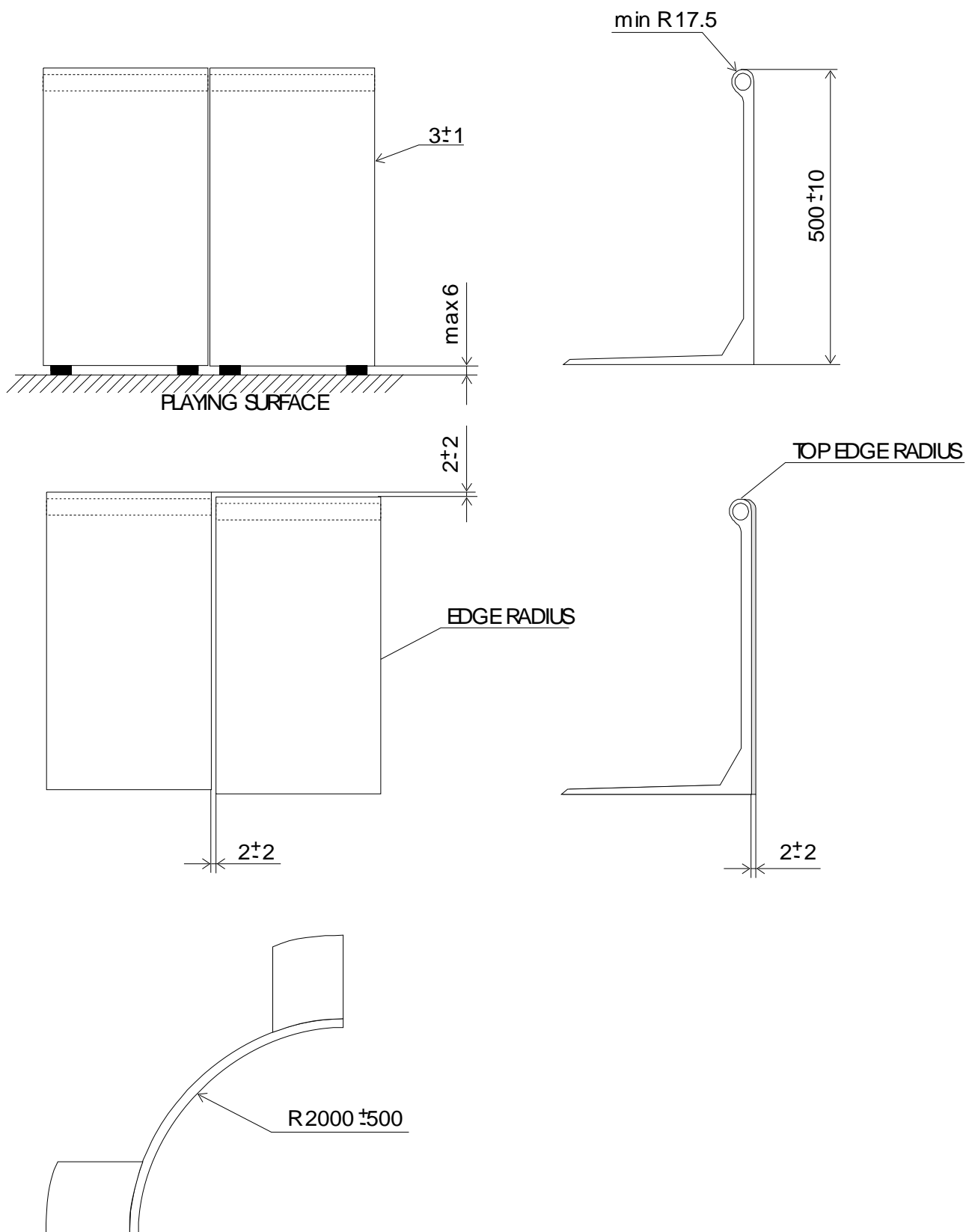
Drawing no.  
**SPCR 011-11e**




LL VIEW

Drawn by <b>L-Å H</b>	Inspected by	Approved by	Remarks	Replaces 060315, ver 6	Version <b>7</b>
--------------------------	--------------	-------------	---------	---------------------------	---------------------

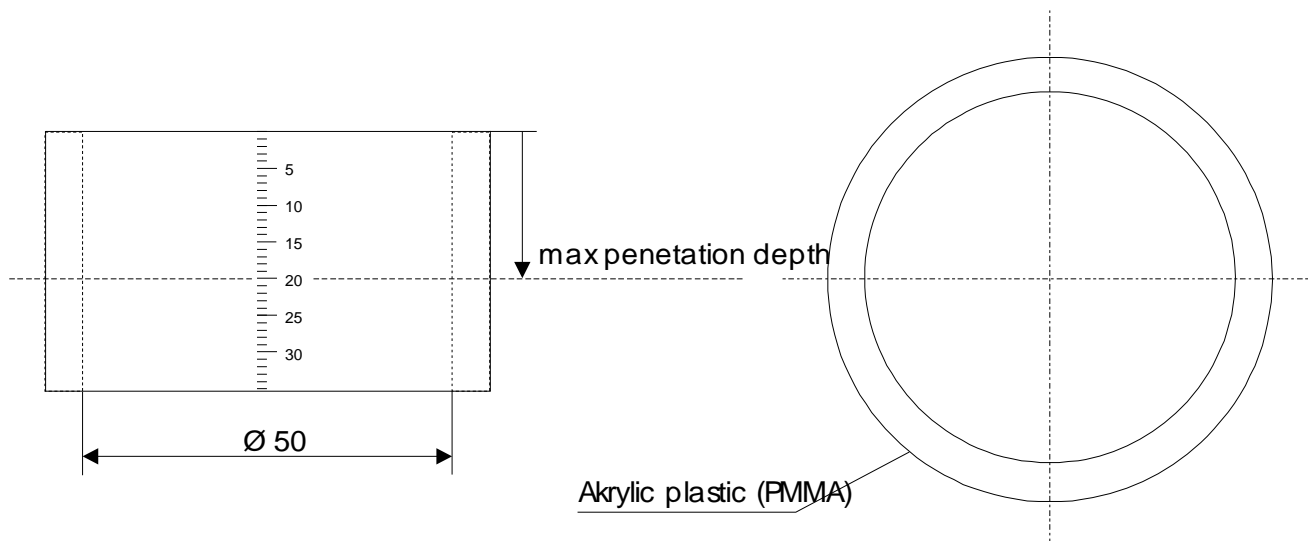
 <b>SP Technical Research Institute of Sweden</b> Chemistry and Materials Technology Section for Polymer Technology Box 857 501 15 BORÅS, Sweden	Title <b>Floorball goal</b>	Drawn <b>090903</b>
		Drawing no. <b>SPCR 011-12e</b>



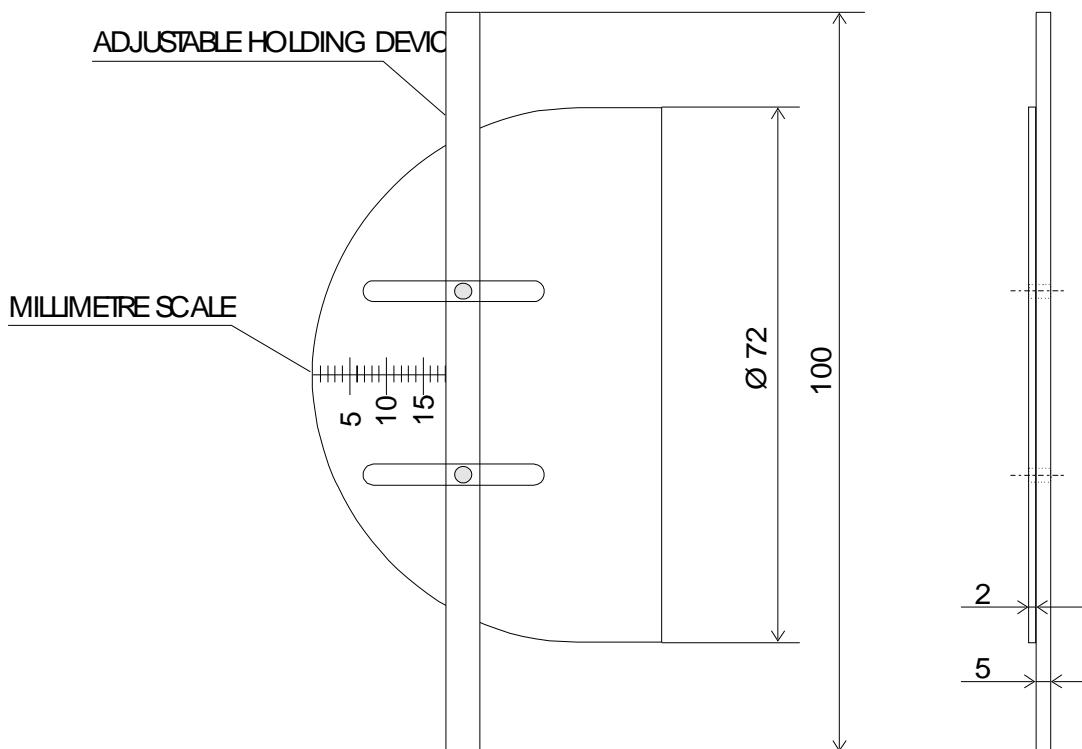
Drawn by <b>L-Å H</b>	Inspected by	Approved by	Remarks	Replaces 951115, ver 3	Version <b>4</b>
--------------------------	--------------	-------------	---------	---------------------------	---------------------

 <b>SP Technical Research Institute of Sweden</b> Chemistry and Materials Technology Section for Polymer Technology Box 857 501 15 BORÅS, Sweden	Title <b>Floorball rink</b>	Drawn <b>040524</b>
		Drawing no. <b>SPCR 011-13e</b>

MEASURING DEVICE FOR BLADE PENETRATION DEPTH



MEASURING DEVICE FOR BLADE CONCAVITY DEPTH



Drawn by

L-Å H

Inspected by

Approved by

Remarks

Replaces

930924, ver 2

Version

3



SP Technical Research Institute of Sweden  
 Chemistry and Materials Technology  
 Section for Polymer Technology  
 Box 857  
 501 15 BORÅS, Sweden

Title

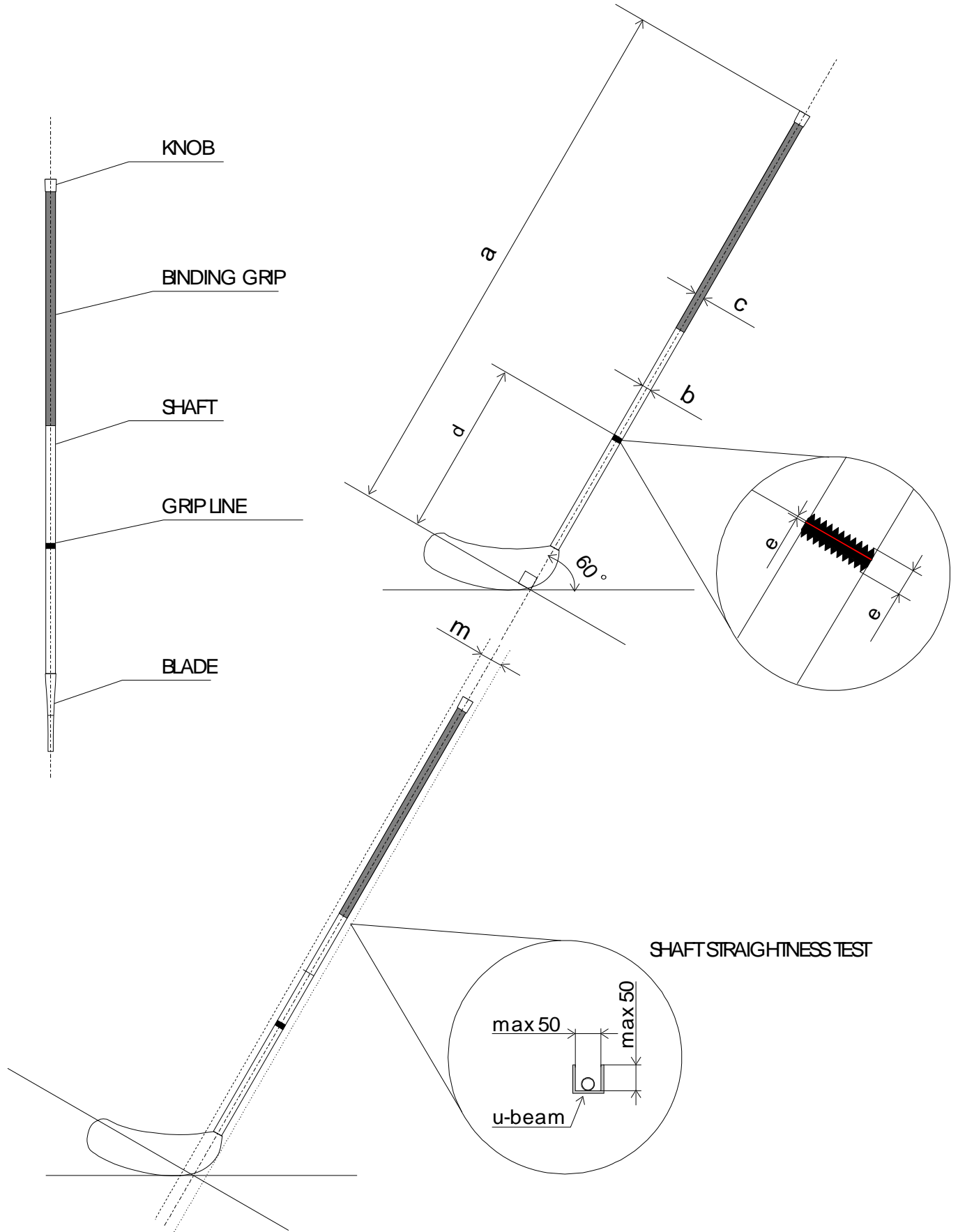
Equip. for penetration  
 and concavity depth

Drawn

951115

Drawing no.

SPM 1506-14e



Drawn by <b>L-Å H</b>	Inspected by	Approved by	Remarks	Replaces 090702, ver 6	Version <b>7</b>
--------------------------	--------------	-------------	---------	---------------------------	---------------------

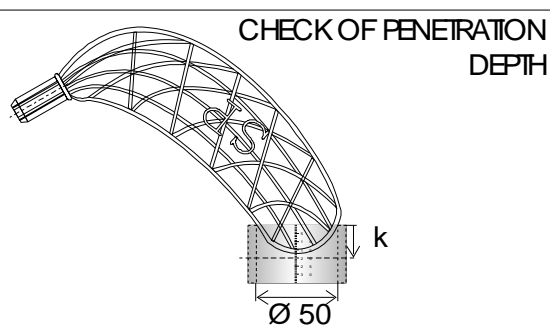
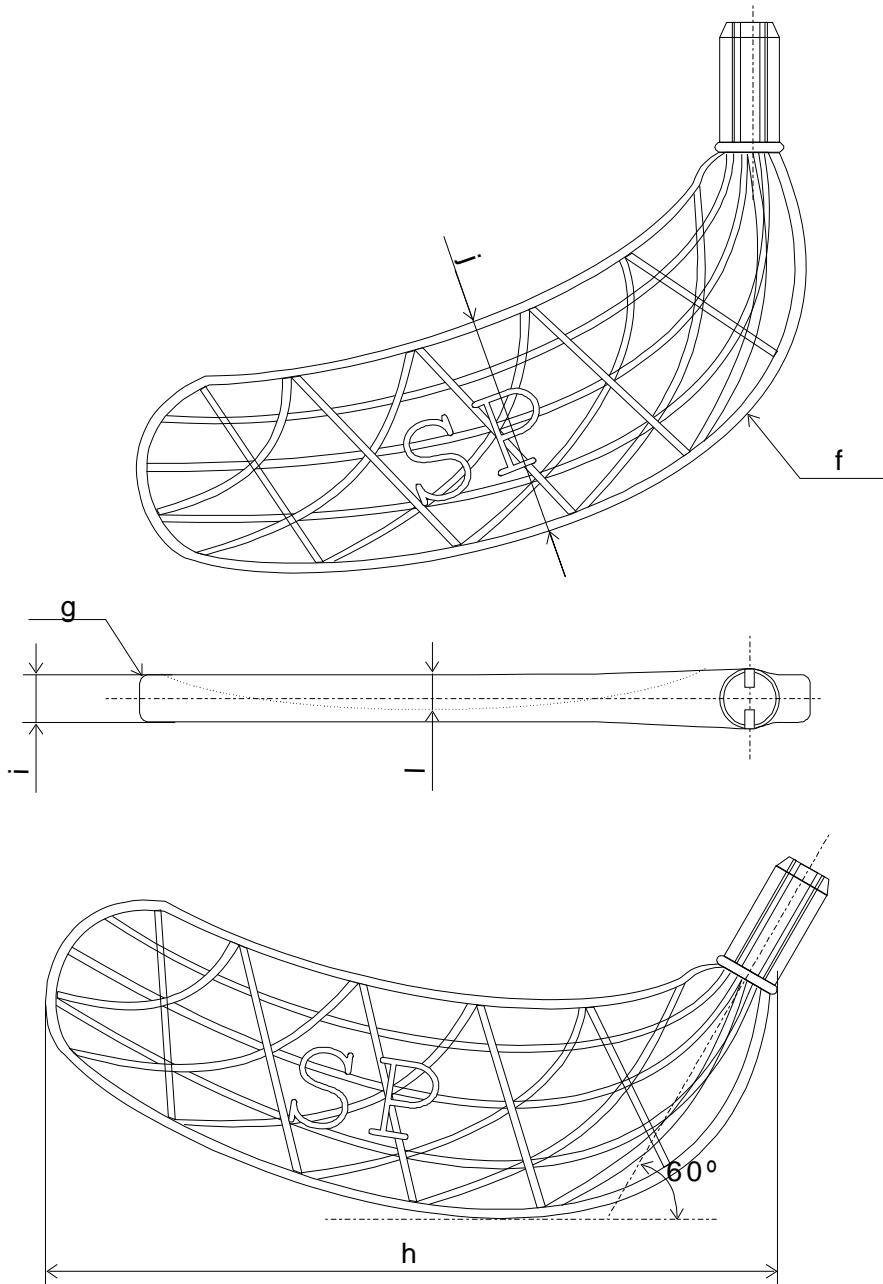


**SP Technical Research Institute of Sweden**  
 Chemistry and Materials Technology  
 Section for Polymer Technology  
 Box 857  
 501 15 BORÅS, Sweden

Title  
**Floorball stick**

Drawn  
**110919**

Drawing no.  
**SPM 1506-15e**



Drawn by <b>L-Å H</b>	Inspected by	Approved by	Remarks	Replaces 050103, ver 4	Version <b>5</b>
--------------------------	--------------	-------------	---------	---------------------------	---------------------

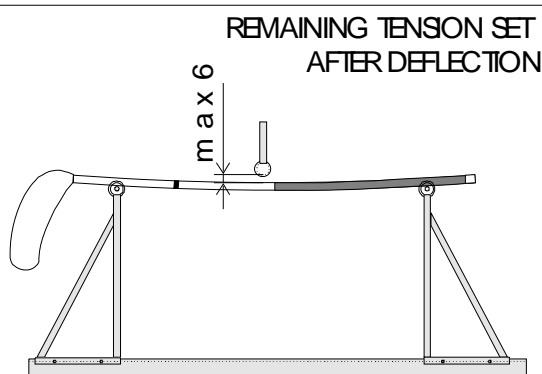
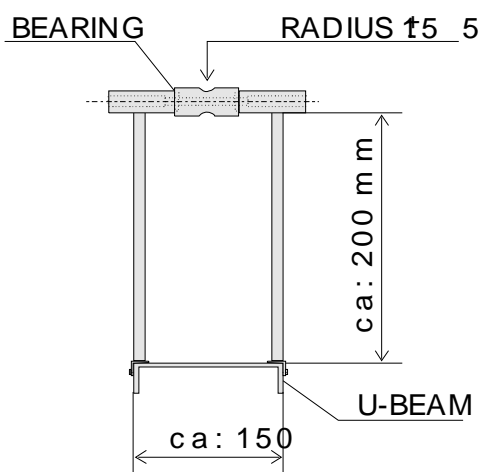
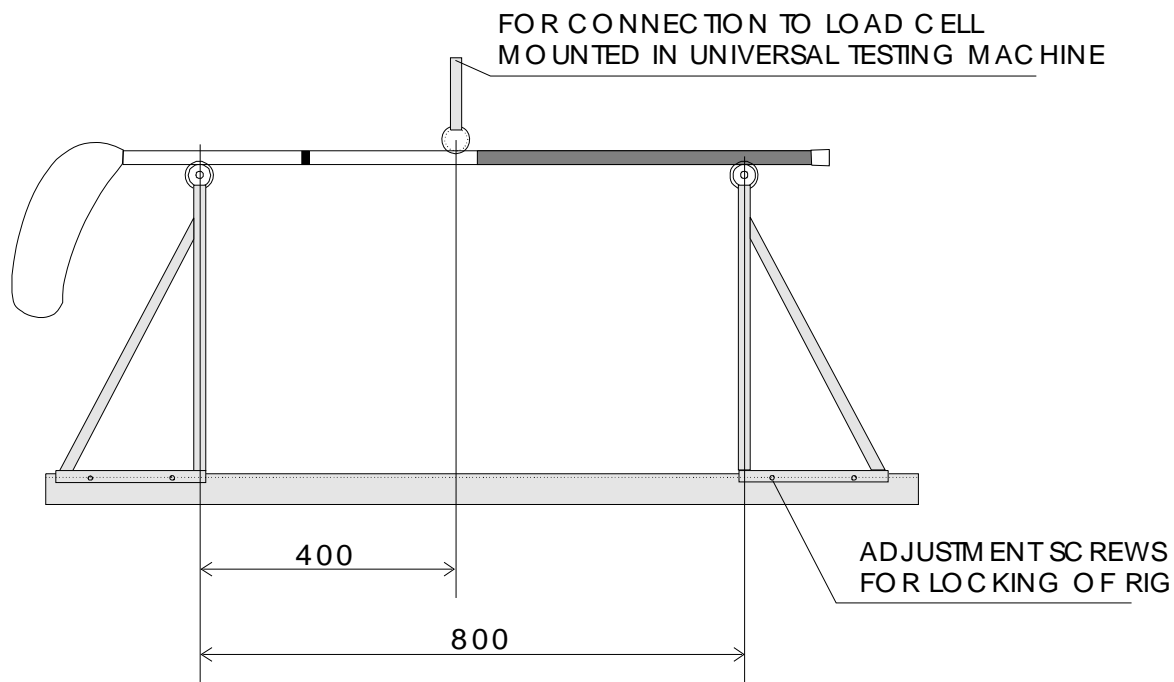
**SP** Technical Research Institute of Sweden  
 Chemistry and Materials Technology  
 Section for Polymer Technology  
 Box 857  
 501 15 BORÅS, Sweden

Title  
**Floorball stick blade**

Drawn  
**090702**

Drawing no.  
**SPM 1506-16e**





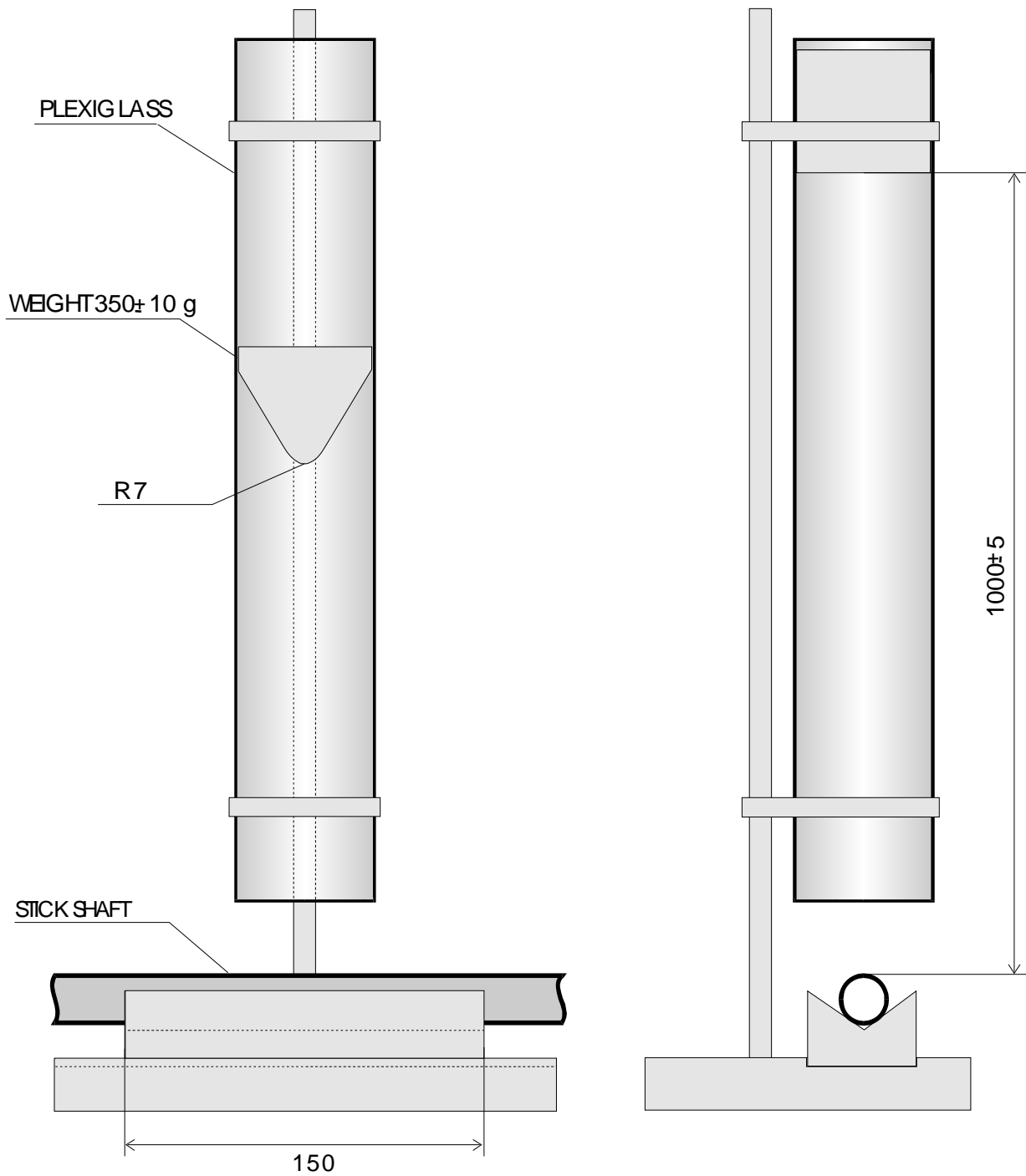
Drawn by <b>L-Å H</b>	Inspected by	Approved by	Remarks	Replaces 930924, ver 2	Version <b>3</b>
-----------------------	--------------	-------------	---------	------------------------	------------------




**SP Technical Research Institute of Sweden**  
 Chemistry and Materials Technology  
 Section for Polymer Technology  
 Box 857  
 501 15 BORÅS, Sweden

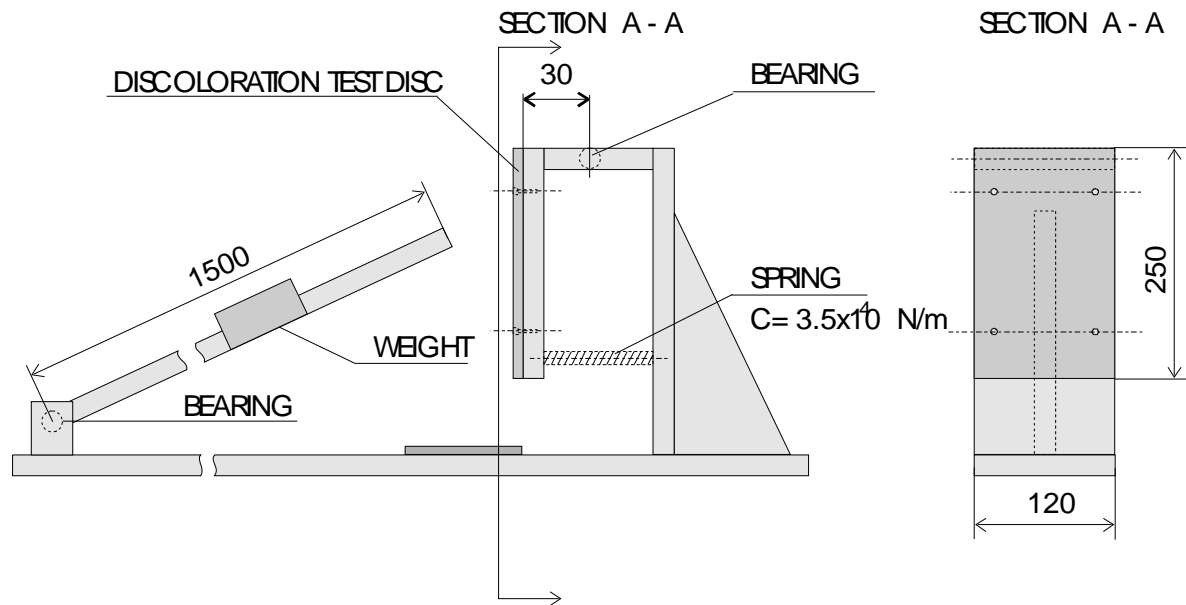
Title  
**Deflection**

Drawn **951115**  
 Drawing no.  
**SPM 1506-17e**

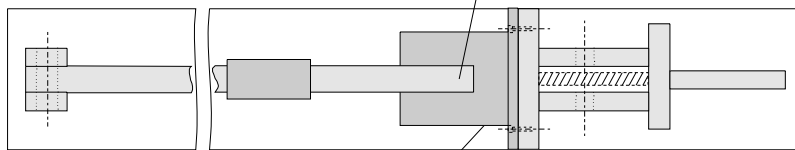


Drawn by <b>L-Å H</b>	Inspected by	Approved by	Remarks	Replaces 930924, ver 2	Version <b>3</b>
--------------------------	--------------	-------------	---------	---------------------------	---------------------

 <b>SP Technical Research Institute of Sweden</b> Chemistry and Materials Technology Section for Polymer Technology Box 857 501 15 BORÅS, Sweden	Title <b>Impact test</b>	Drawn <b>951115</b>
		Drawing no. <b>SPM 1506-18e</b>




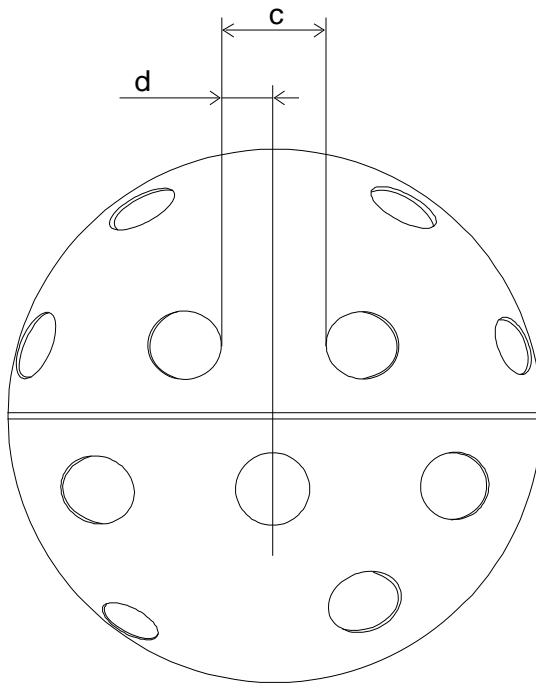
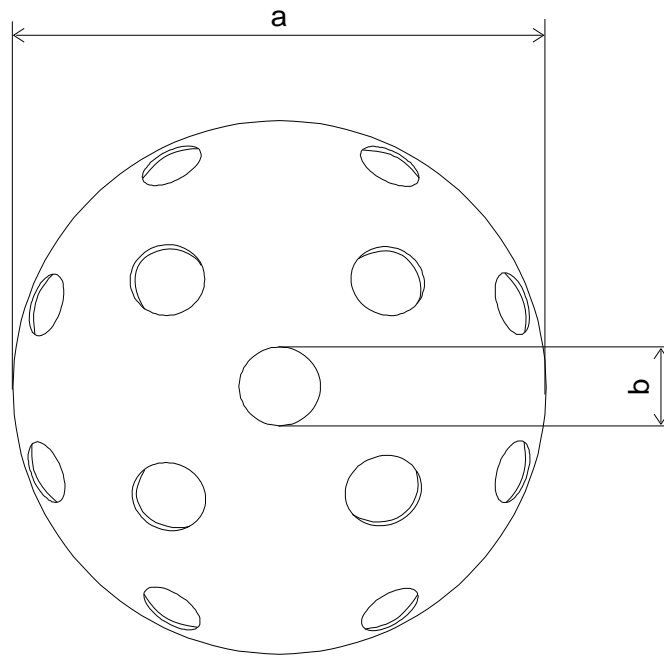
**MOUNTING DEVICE FOR BLADE**




**SHOCK ABSORBING MATERIAL**

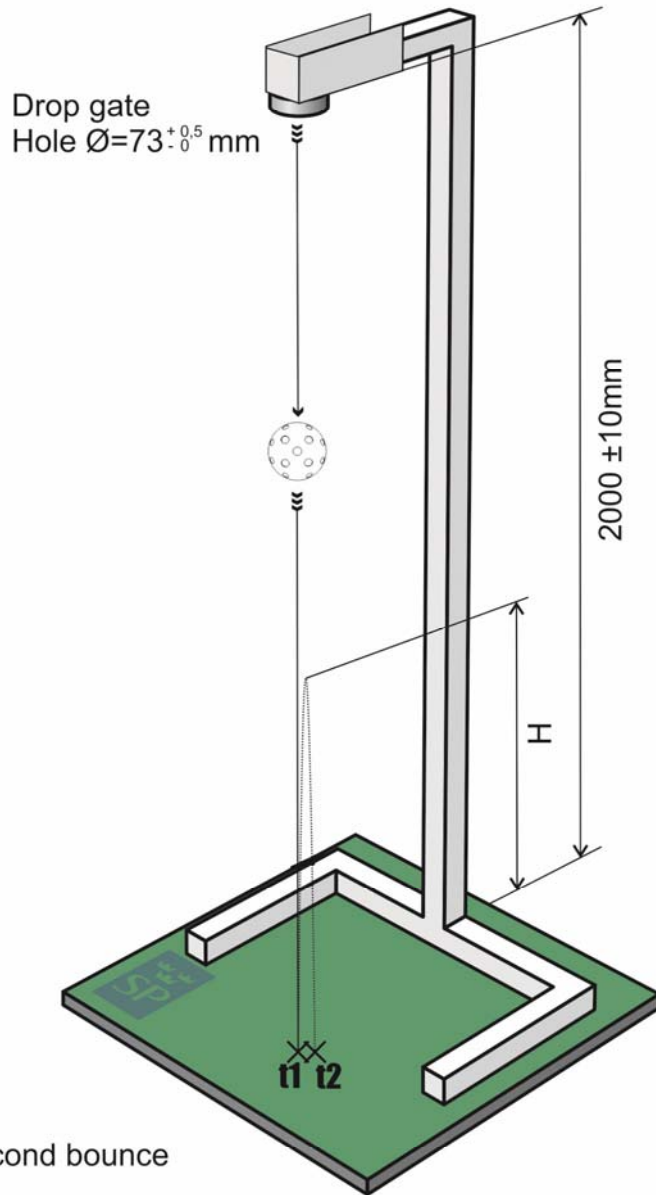
Drawn by <b>L-Å H</b>	Inspected by	Approved by	Remarks	Replaces 930924, ver 2	Version <b>3</b>
--------------------------	--------------	-------------	---------	---------------------------	---------------------

 <b>SP Technical Research Institute of Sweden</b> Chemistry and Materials Technology Section for Polymer Technology Box 857 501 15 BORÅS, Sweden	Title <b>Discoloration</b>	Drawn <b>951115</b>
		Drawing no. <b>SPM 1506-19e</b>



Drawn by <b>L-Å H</b>	Inspected by	Approved by	Remarks	Replaces 930924, ver 2	Version <b>3</b>
--------------------------	--------------	-------------	---------	---------------------------	---------------------

 <b>SP Technical Research Institute of Sweden</b> Chemistry and Materials Technology Section for Polymer Technology Box 857 501 15 BORÅS, Sweden	Title <b>Floorball ball</b>	Drawn <b>951115</b>
		Drawing no. <b>SPM 1506-20e</b>




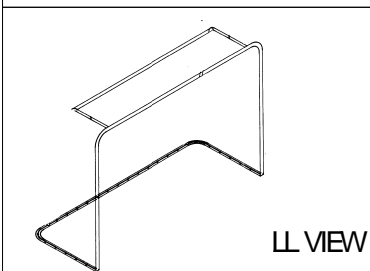
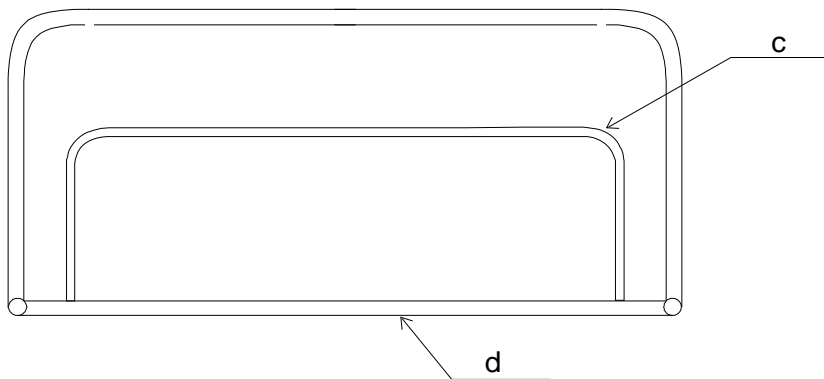
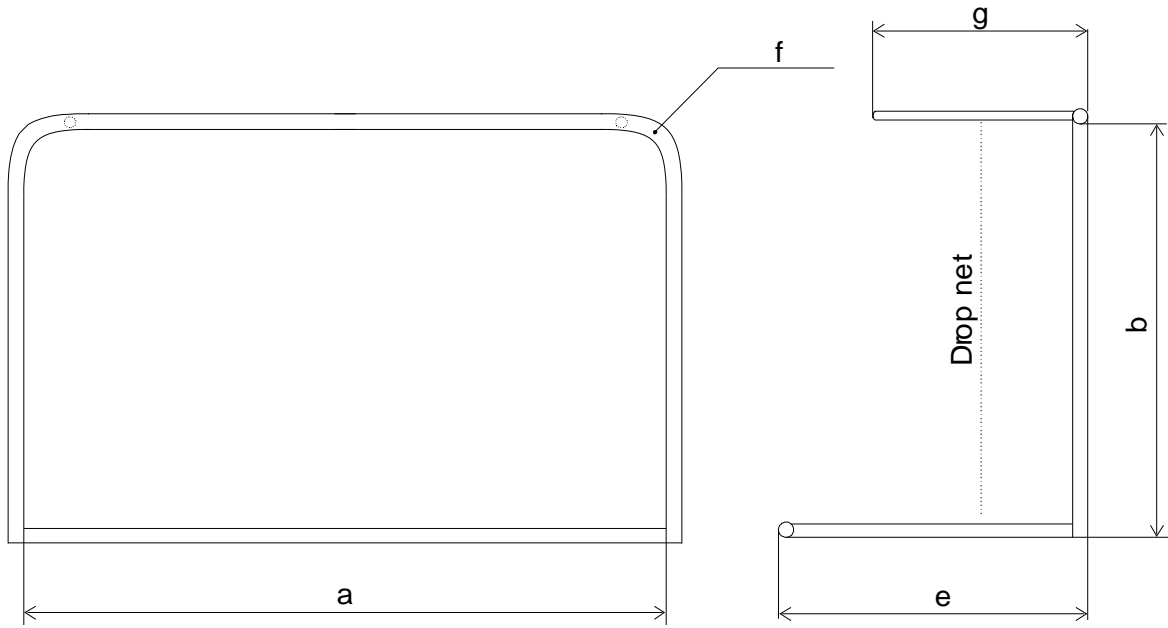
$$H=1,23(T-K_1)^2$$

$$1,23=g/8$$


$$T=t_2-t_1, \text{ time between first and second bounce}$$

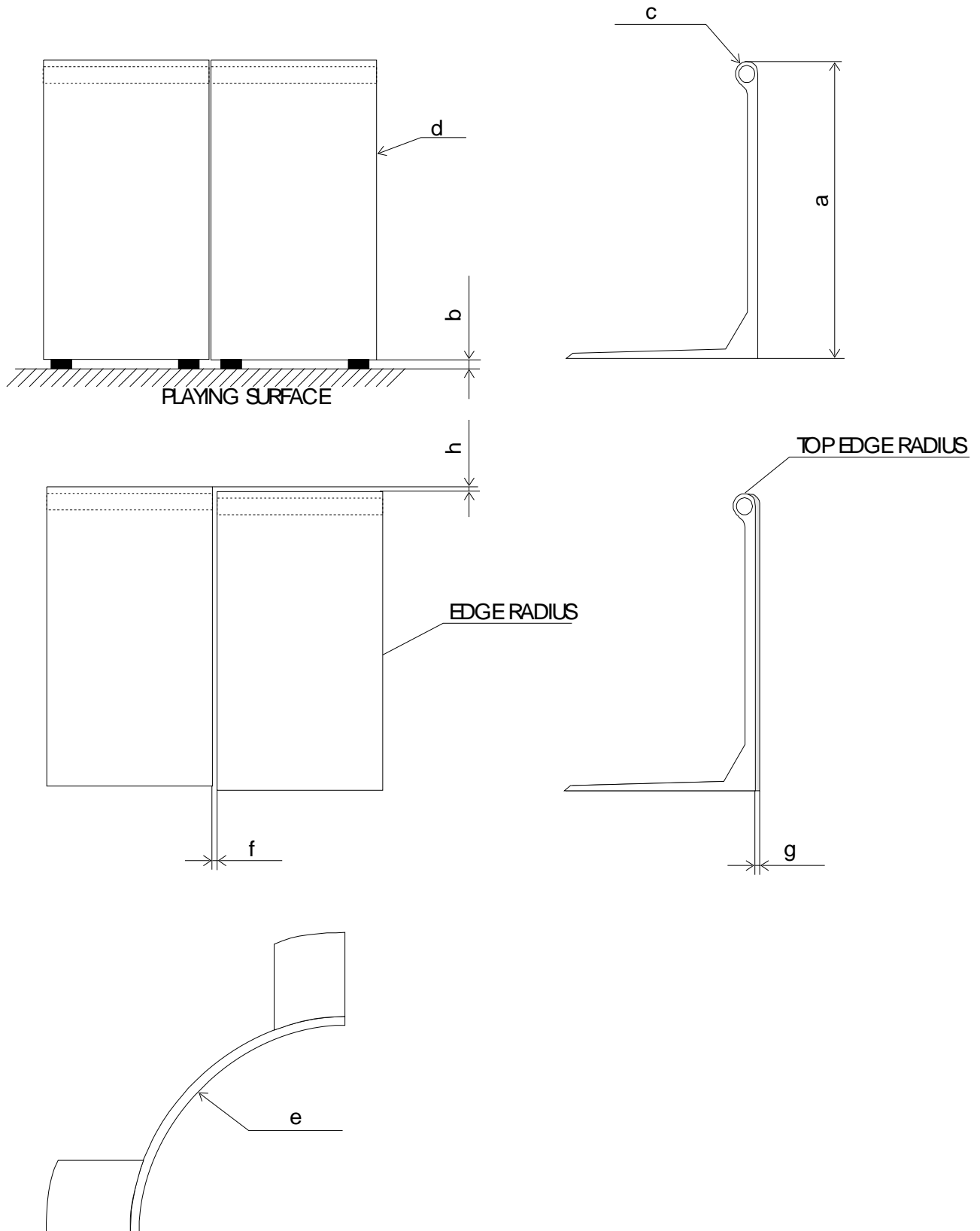
$$K_1= \text{correction factor}$$

Drawn by <b>L-Å H</b>	Inspected by	Approved by	Remarks	Replaces 951115, ver 3	Version <b>4</b>
 <b>SP Technical Research Institute of Sweden</b> Chemistry and Materials Technology Section for Polymer Technology Box 857 501 15 BORÅS, Sweden	Title <b>Ball rebound</b>			Drawn <b>140424</b>	Drawing no. <b>SPM 1506-21e</b>




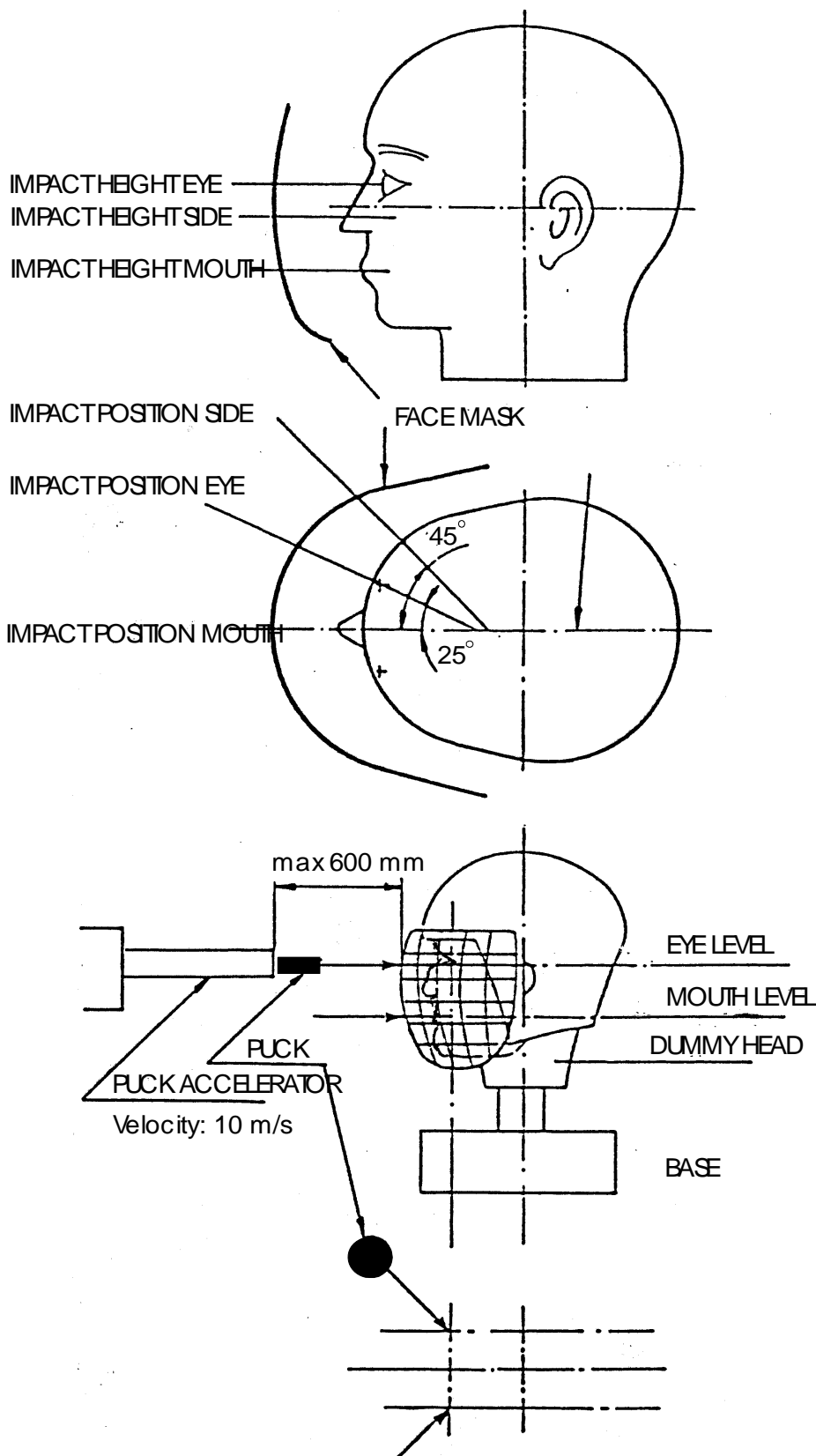
Drawn by <b>L-Å H</b>	Inspected by	Approved by	Remarks	Replaces 040623, ver 5	Version <b>6</b>
--------------------------	--------------	-------------	---------	---------------------------	---------------------

 <b>SP Technical Research Institute of Sweden</b> Chemistry and Materials Technology Section for Polymer Technology Box 857 501 15 BORÅS, Sweden	Title <b>Floorball goal</b>	Drawing no. <b>060315</b>
		Drawing no. <b>SPM 1506-22e</b>



Drawn by <b>L-Å H</b>	Inspected by	Approved by	Remarks	Replaces 951115, ver 3	Version <b>4</b>
--------------------------	--------------	-------------	---------	---------------------------	---------------------

 <b>SP Technical Research Institute of Sweden</b> Chemistry and Materials Technology Section for Polymer Technology Box 857 501 15 BORÅS, Sweden	Title <b>Floorball rink</b>	Drawn <b>040524</b>
		Drawing no. <b>SPM 1506-23e</b>



Drawn by <b>L-Å H</b>	Inspected by	Approved by	Remarks	Replaces 930924, ver 2	Version <b>3</b>
--------------------------	--------------	-------------	---------	---------------------------	---------------------



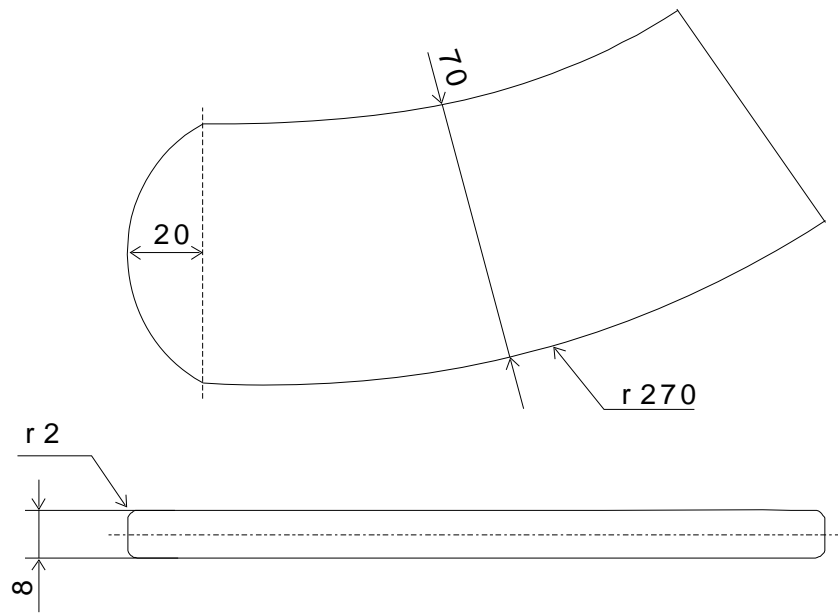
**SP Technical Research Institute of Sweden**  
 Chemistry and Materials Technology  
 Section for Polymer Technology  
 Box 857  
 501 15 BORÅS, Sweden

Title  
**Face mask**

Drawn  
**951115**

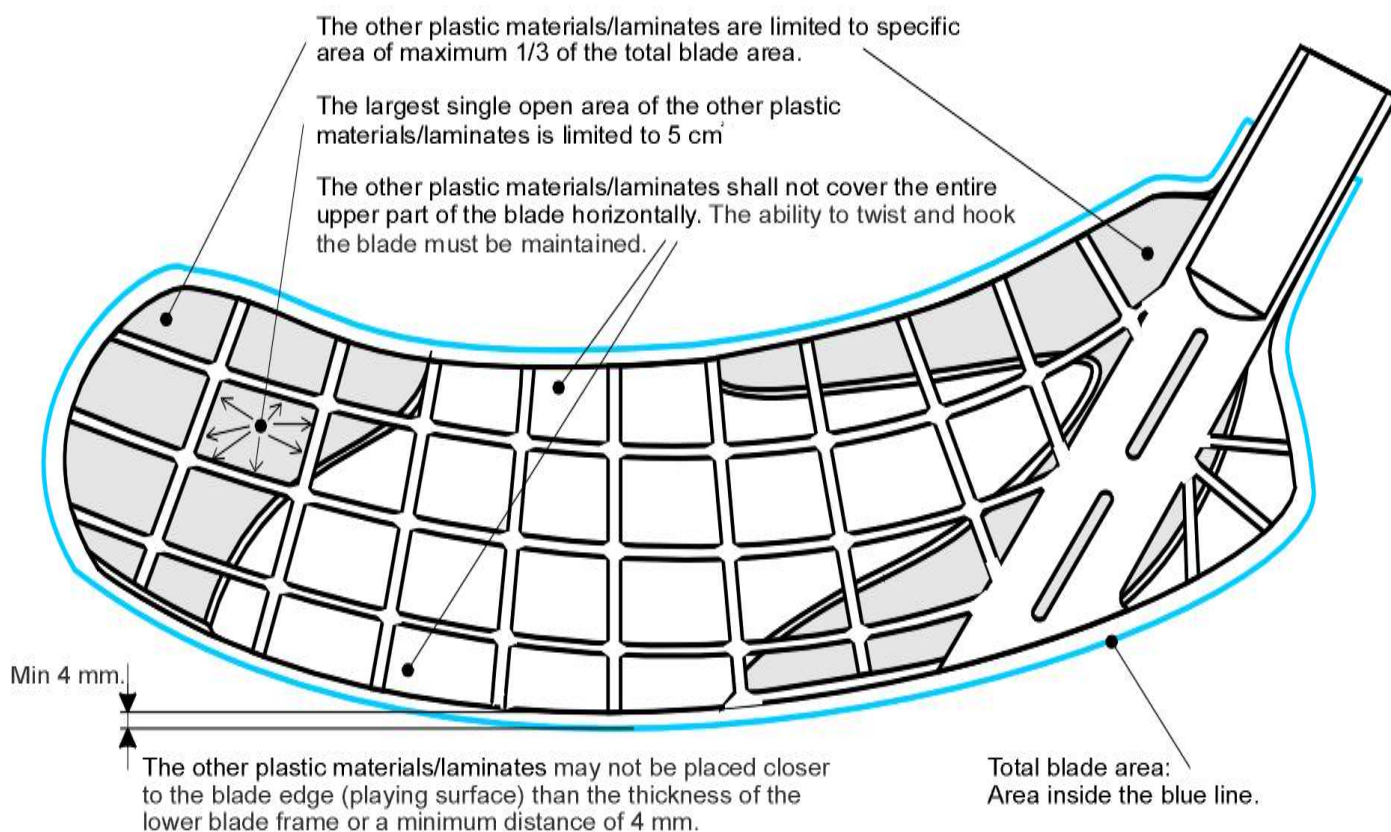
Drawing no.  
**SPM 1506-24e**






Drawn by <b>L-Å H</b>	Inspected by	Approved by	Remarks	Replaces <b>080512</b>	Version <b>4</b>
-----------------------	--------------	-------------	---------	------------------------	------------------

 <b>SP Technical Research Institute of Sweden</b> Chemistry and Materials Technology Section for Polymer Technology Box 857 501 15 BORÅS, Sweden	Title <b>Stick Blade          Measuring Device</b>	Drawn <b>090702</b>
		Drawing no. <b>SPM 1506-25e</b>



*The drawing is just showing an example of possible placement of the other plastic material / laminates.*

Drawn by <b>L.-Å H</b>	Inspected by	Approved by	Remarks	Replaces	Version <b>1</b>
 <b>SP Technical Research Institute of Sweden</b> Chemistry, Materials and Surfaces Section for Polymer Technology Box 857 501 15 BORÅS, Sweden	Title <b>Stick Blade Limeted Area</b>			Drawn <b>130523</b>	<b>SPCR 011-26e</b>
				Drawing no.	